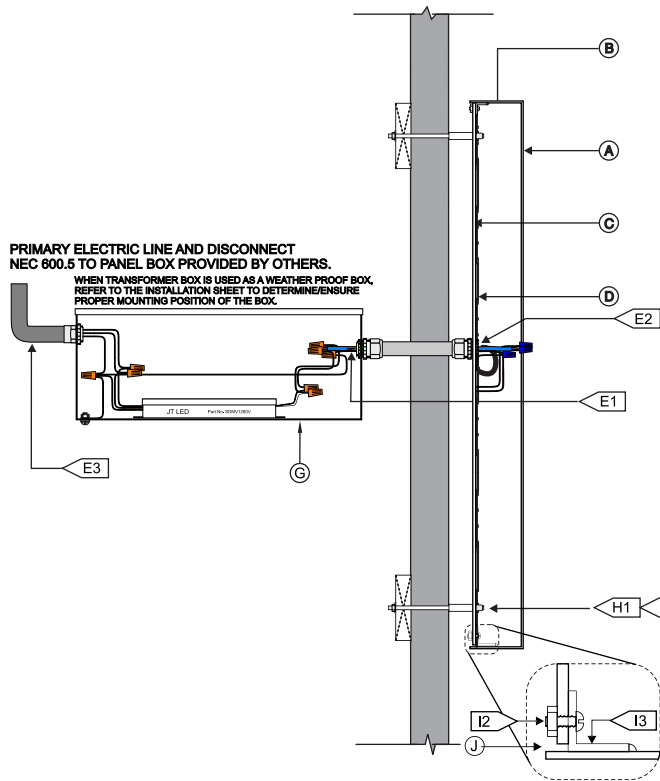


REVERSE LIT LETTER (L.E.D.) W/ SEAL TIGHT CONNECTOR



(A) FACE	
MATERIAL:	.080" ALUM.
(B) RETURNS	
DEPTH:	3 1/2" * SIZES MAY VARY
MATERIAL:	.063" ALUM.
(C) BACKS:	
MATERIAL:	3/16" LEXAN
(D) ILLUMINATION:	
TYPE:	L.E.D. (BRANDS VARY)
(E) WIRING	
E1	U/L APPROVED CLASS II LOW VOLTAGE WIRE
E2	1/2" LIQUID TIGHT CONNECTOR
E3	PRIMARY ELECTRICAL SERVICE W/DEDICATED CIRCUIT PROVIDED BY OTHERS
(G) POWER SUPPLY	
TYPE:	REMOTE LED POWER SUPPLY * BRAND MAY VARY
	WEATHER-PROOF BOX
VOLTAGE:	120V
(H) MOUNTING	
H1	1/4" NUTSERT w/ 1 1/2" SPACER
H2	1/4" ALL-THREAD, NUTS & WASHERS / OR TYPE AS REQ'D.
(I) LEXAN BACK MOUNTING	
I1	10/24 BOLT & NUT
I2	ALUM. ANGLE WELDS TO RETURN.
(J) WEEP HOLES: 1/8" GAP AT BOTTOM LEXAN.	

MECHANICAL INSTALLATION NOTE: INSTALLER IS REQ'D. TO VERIFY ACTUAL FIELD CONDITIONS & PROVIDE NECESSARY MTG. HARDWARE & METHOD OF ATTACHMENT TO ENSURE SAFE INSTALLATION. INSTALLATION TO MEET N.E.C., UL & LOCAL CODES

ELECTRICAL NOTE: IT IS THE CUSTOMERS RESPONSIBILITY TO PROVIDE 120 VOLT PRIMARY ELECTRICAL SERVICE w/ DEDICATED CIRCUIT(S). INCLUDING GROUND WIRING DIRECTLY FROM PANEL BOX w/IN SIX (6) FEET OF SIGNAGE. INSTALLATION TO MEET N.E.C., UL & LOCAL CODES

ELECTRICAL INSTALLATION NOTE: THIS SIGN IS INTENDED TO BE INSTALLED IN ACCORDANCE w/ THE REQUIREMENTS OF ARTICLE 600 OF THE N.E.C. AND/ OR OTHER APPLICABLE LOCAL CODES. THIS INCLUDES PROPER GROUNDING AND BONDING OF THE SIGN.



ALL ELECTRICAL COMPONENTS ARE TO BE UL APPROVED