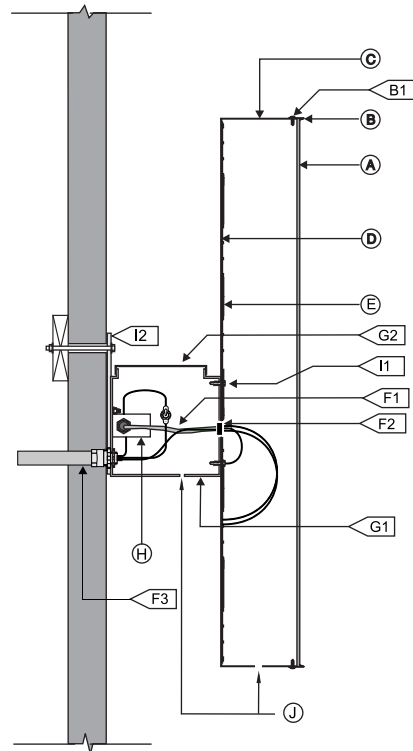


FACE LIT LETTER (L.E.D.) ON AN 8"X8" RACEWAY



(A) FACE	
MATERIAL:	3/16" ACRYLIC
(B) TRIMCAP	
SIZE	1"
B1	#8 PHILLIPS HEAD SCREWS
(C) RETURNS	
DEPTH:	5" *SIZES MAY VARY
MATERIAL:	.040" ALUM.
(D) BACKS	
MATERIAL:	.050" ALUMINUM UP TO 48" LETTERS/ .063" LETTERS OVER 48"
(E) ILLUMINATION	
TYPE:	L.E.D. *BRANDS AND COLOR MAY VARY
(F) WIRING	
F1	UL APPROVED CLASS II LOW VOLTAGE WIRE
F2	SNAP BUSHING
F3	PRIMARY ELECTRICAL SERVICE W/DEDICATED CIRCUIT PROVIDED BY OTHERS
(G) RACEWAY	
G1	STANDARD 8"x8" ALUMINUM EXTRUSION RACEWAY
G2	SERVICE ACCESS LID
(H) POWER SUPPLY	
TYPE:	LED POWER SUPPLY *BRANDS MAY VARY
	WEATHER-PROOF BOX
VOLTAGE:	120V
(I) MOUNTING	
I1	3/16" SELF TAPPING SCREW
I2	ADJUSTABLE BRACKET / FASTENER TYPE AS REQ'D.
(J) WEEP HOLES	
	1/4" DRAIN HOLES FOR EXTERIOR LETTERS

MECHANICAL INSTALLATION NOTE: INSTALLER IS REQ'D. TO VERIFY ACTUAL FIELD CONDITIONS & PROVIDE NECESSARY MTG. HARDWARE & METHOD OF ATTACHMENT TO ENSURE SAFE INSTALLATION. INSTALLATION TO MEET N.E.C., UL & LOCAL CODES

ELECTRICAL NOTE: IT IS THE CUSTOMERS RESPONSIBILITY TO PROVIDE 120 VOLT PRIMARY ELECTRICAL SERVICE w/ DEDICATED CIRCUIT(S), INCLUDING GROUND WIRING DIRECTLY FROM PANEL BOX w/IN SIX (6) FEET OF SIGNAGE. INSTALLATION TO MEET N.E.C., UL & LOCAL CODES

ELECTRICAL INSTALLATION NOTE: THIS SIGN IS INTENDED TO BE INSTALLED IN ACCORDANCE w/ THE REQUIREMENTS OF ARTICLE 600 OF THE N.E.C. AND/ OR OTHER APPLICABLE LOCAL CODES. THIS INCLUDES PROPER GROUNDING AND BONDING OF THE SIGN.



ALL ELECTRICAL COMPONENTS ARE TO BE UL APPROVED